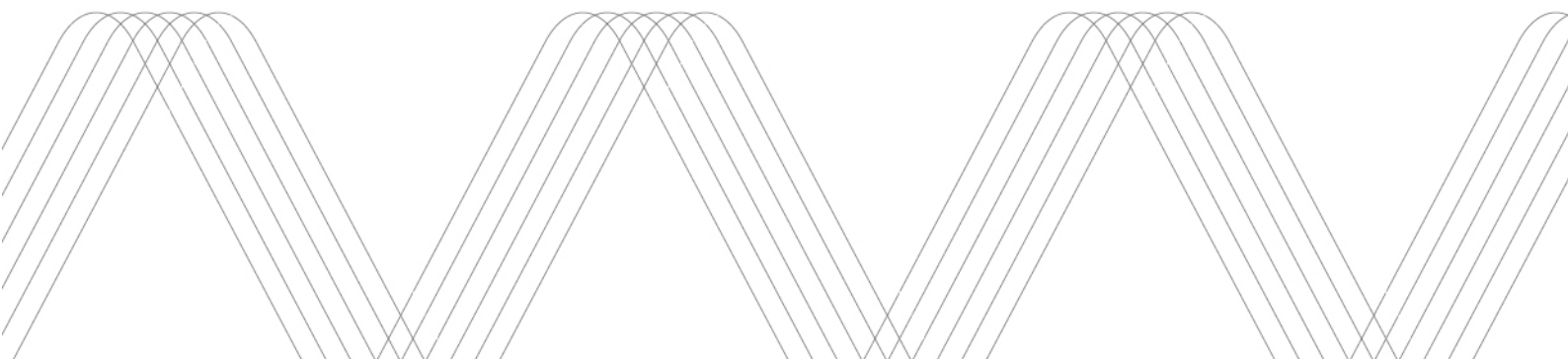




Charge Amps **Beam**

User Manual





Contents

Safety precautions	3
Warning	3
Use.....	4
To start charging	4
Storage	5
General instructions	5
Maintenance	5
Precautions	6
Troubleshooting	6
Rights.....	7

Safety precautions

Read the safety precautions before use

WARNING –This manual contains important instructions for the use and maintenance of the Beam charging cable. When using electrical products, you must always follow basic safety precautions, including the following instructions.



WARNING –This manual contains important instructions for the use and maintenance of the Beam charging cable. When using electrical products, you must always follow basic safety precautions, including the following instructions.



Contains instructions on the prevention of fire and electric shock. Make sure you read and keep this User Manual.



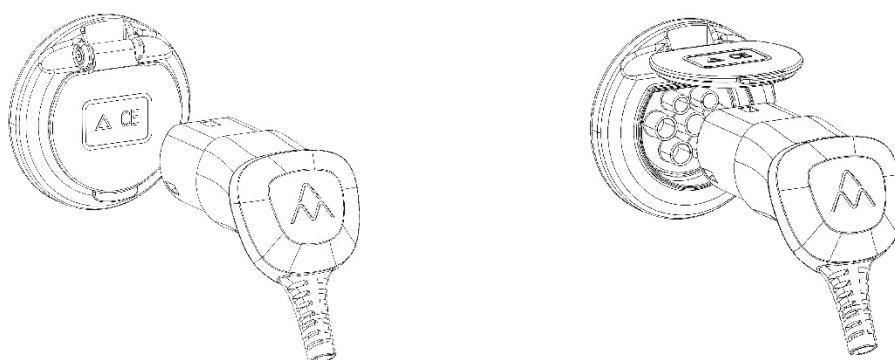
WARNING – Do not use Beam for any purpose other than charging electric vehicles.

Warning

1. Stop using Beam immediately if a fault or an abnormality occurs when charging, or if the cable is damaged.
2. Stop using Beam if it becomes overheated.
3. Keep the plug dry, and take appropriate care when operating in wet conditions.
4. Never use Beam if any part is broken, worn, cracked, open or shows any signs of being damaged. Contact your reseller immediately if you are uncertain if it is safe to use your Beam.

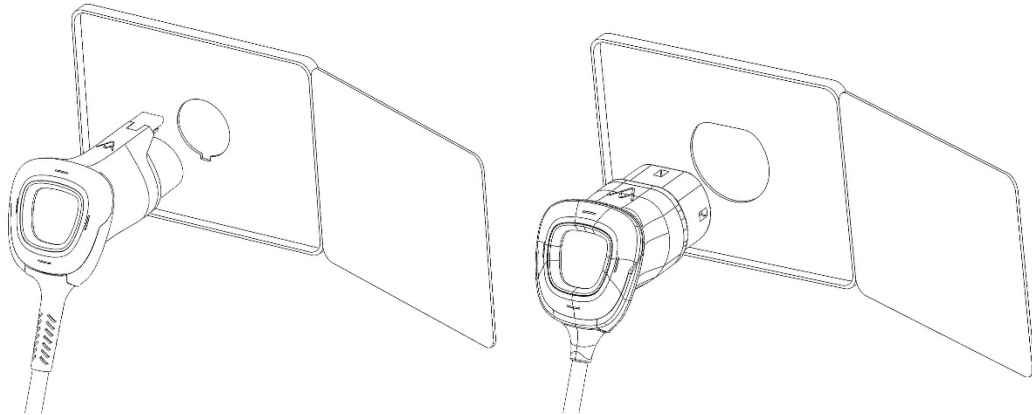
5. Not for use by children.
6. Handle Beam with care, do not drop it, and never bend it or give it a hard tug.

Use



To start charging

1. Connect Beam to a type 2 socket on a charging station. Make sure this step is always carried out first.
2. Then connect Beam to your car.
3. Charge up
4. After charging is complete – disconnect your car first.



Storage

1. If Beam is stored for a prolonged period, keep it in a cool, dark place.
2. Check and ensure that no damage has occurred the first time you use the cable after transport.

General instructions

1. Read all the instructions before using Beam.
2. The unit must not be left unattended when used near children.
3. Never put your fingers in the sockets/connectors.
4. Do not immerse Beam in water or other fluids.

Maintenance

1. Do not try to take the cable apart or repair it. Contact your reseller if you think your cable needs to be repaired.

2. Although the cable is water resistant, only use a damp cloth and mild detergent when cleaning your Beam. Keep the connector's connection surfaces (metal pins and sleeves) dry when cleaning.

Precautions

1. Never connect Beam to a damaged or defective charging station.
2. Some charging stations lock the cable in place. When you have finished charging, always disconnect the vehicle first and then the charging station.
3. Prevent foreign bodies or materials from entering Beam's connectors.
4. Avoid stepping on, driving over or placing heavy objects on Beam.

Troubleshooting

If charging does not start, carry out the following steps:

1. Make sure Beam is connected correctly to the charging station's charging socket.
2. Make sure Beam is connected correctly to the vehicle's charging socket.
3. If neither of the above works, disconnect the connectors at both ends and check whether any dirt or foreign bodies have got stuck in the connector. Contact your reseller or email support@charge-amps.com if the problem persists.

Rights

The information in this document has been checked for accuracy. Charge Amps AB reserves the right to make technical changes and changes to the contents of the document without prior notice. Charge Amps AB can therefore not guarantee that all of the contents of this particular document are accurate, up-to-date, and free from printing and proofreading errors. Moreover, Charge Amps AB cannot be held liable for any mistakes, near-misses, injuries/damage or incidents – direct or indirect – that can be linked to the use of the instructions or products in this document.

Charge Amps AB reserves all rights to this document, as well as the information and illustrations therein. It is strictly forbidden to – in whole or in part – copy, adapt or translate the information without prior written permission from Charge Amps AB.

© Copyright 2021 Charge Amps AB. All rights reserved.